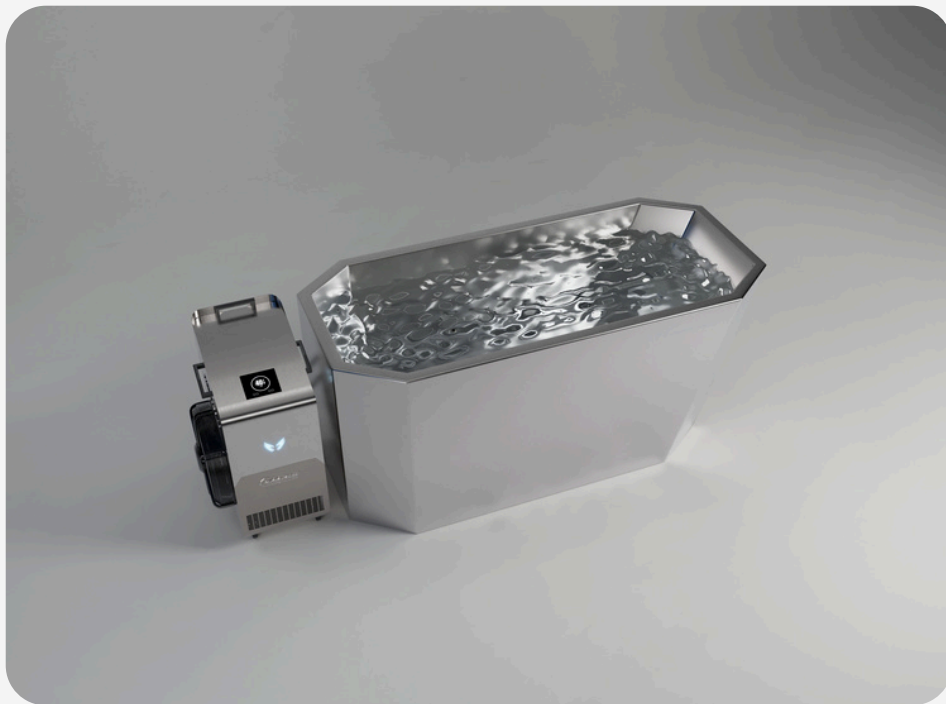


Coldecatti

Vessel



User Guide

Contents

Click any item below to navigate directly to that section.

• Setup	1
• Electrical	7
• App Connection	9
• Control Panel	11
• How To Drain/Fill	12
• Plumbing & Valves	13
• Water Care	15
• Filter Replacement	17
• Remote-Chiller Setup	19
• Safety Precautions	21

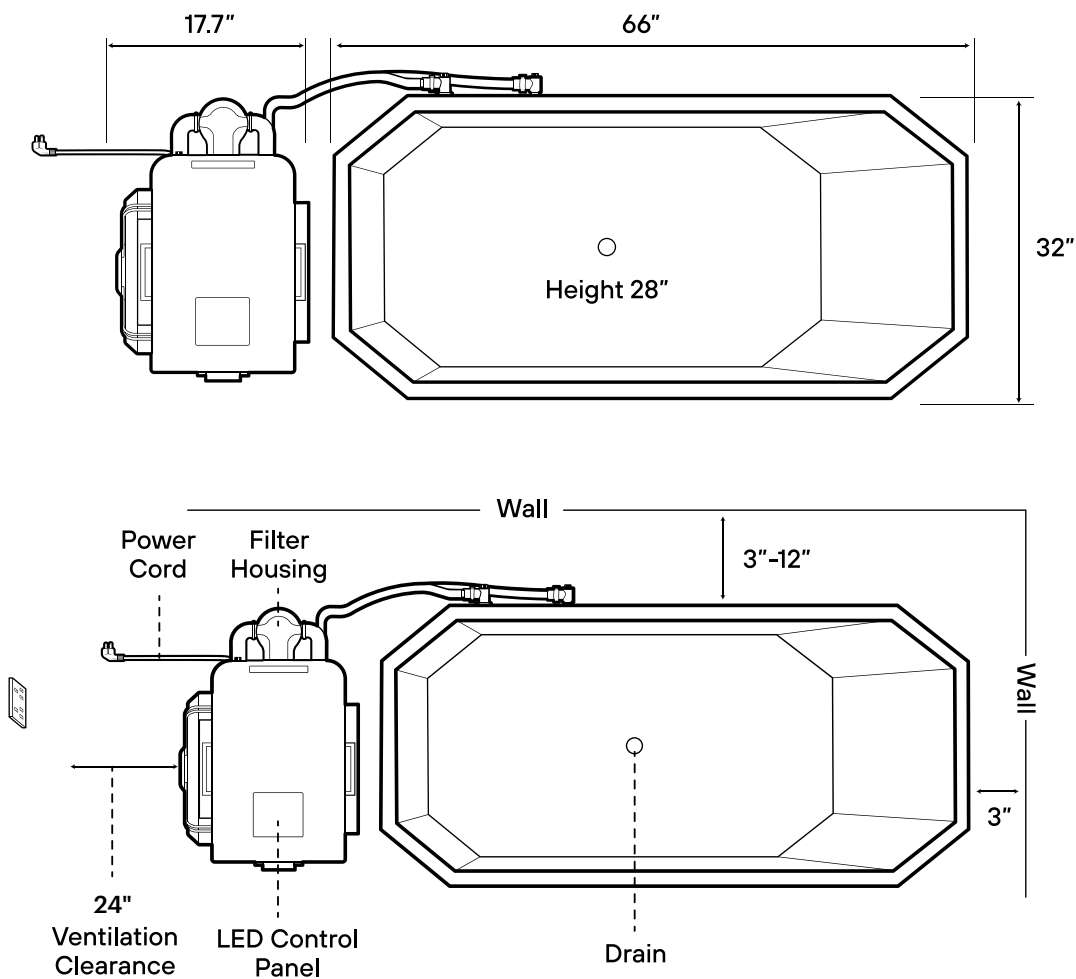
Setup your Vessel for the first time.

This walk-through covers each step of the setup process for your Colderatti Vessel.

1. Location requirements

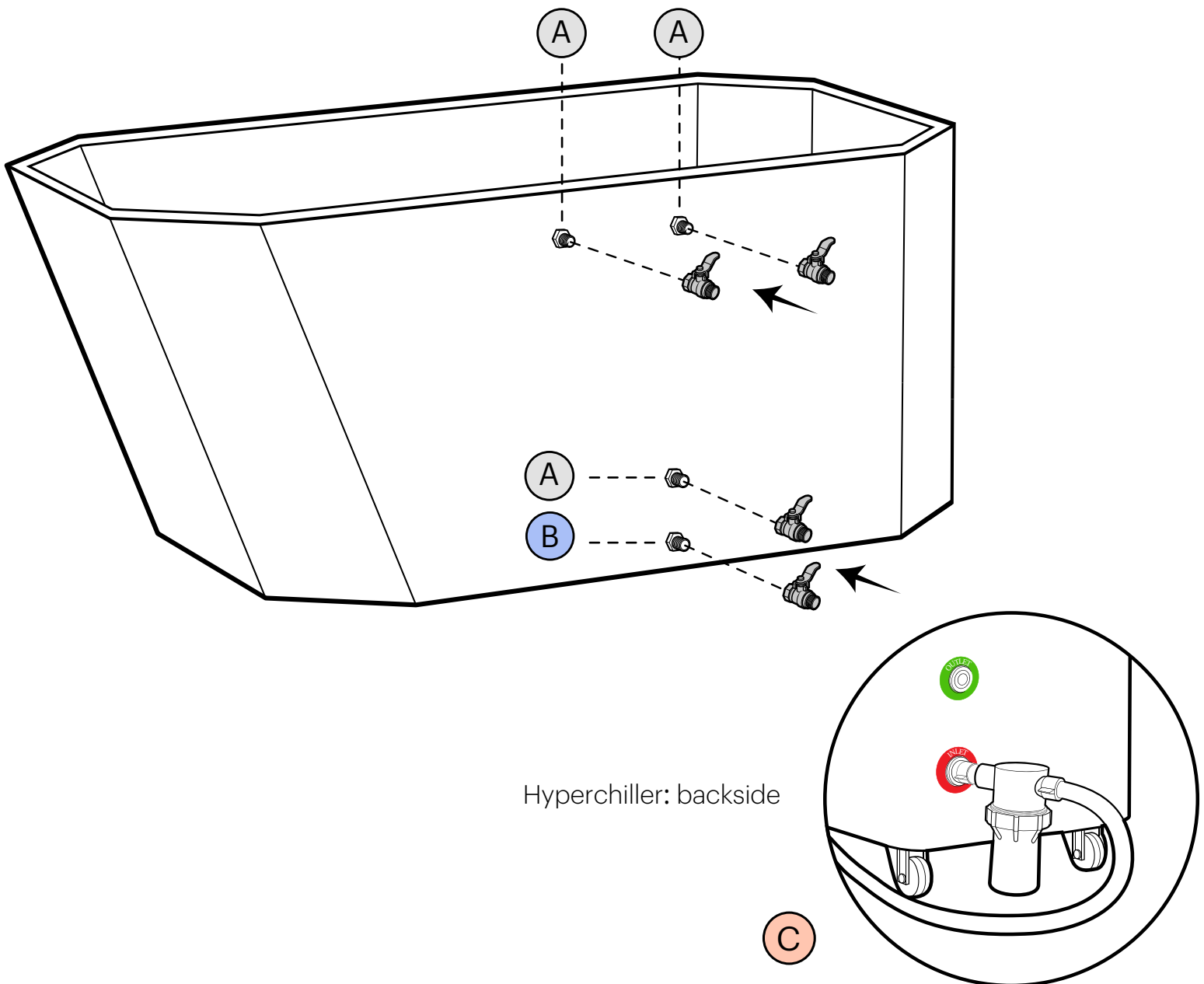
- Place the Vessel and Hyperchiller on a solid, level, waterproof surface.
- Allow at least 24 inches of clearance on the fan end for ventilation.
- The cord is 5 ft. long. If you plan to use an extension cord, use a 12-gauge.

Dimensions:



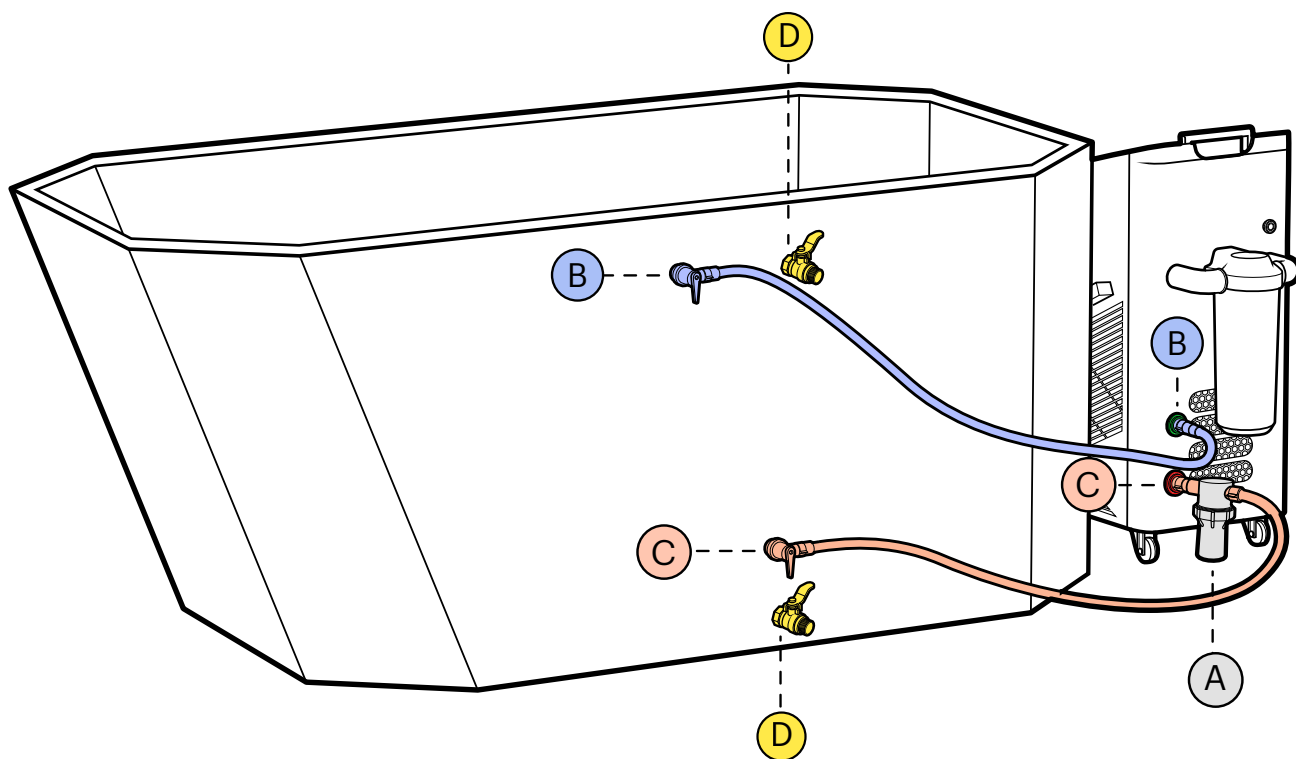
1. Connect valves and pre-filter:

- Ⓐ Attach shutoff valves (1/2" thread) to the Hyperpod IN, OUT, and FILL.
- Ⓑ Attach drain valve (3/4" thread) to the Hyperpod drain thread.
- Ⓒ Attach pre-filter to the Hyperchiller INLET. Ensure the rubber o-ring gasket is present before you screw it on.
- Ⓓ Twist all valves to the OFF position (valve ON position = straight, valve OFF position = sideways).



2. Connect water lines:

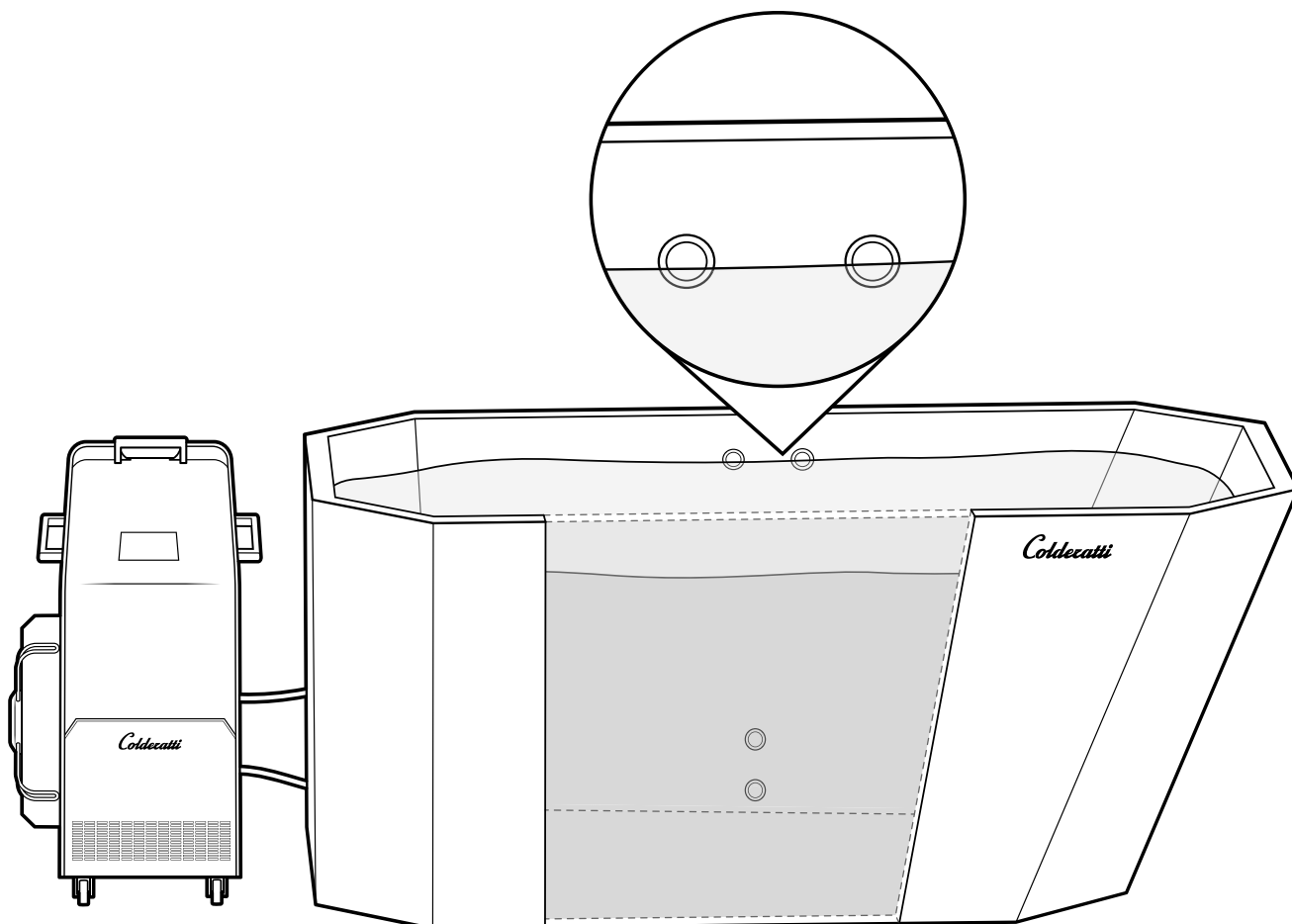
- (A) Confirm pre-filter is attached to the Hyperchiller INLET.
- (B) Connect one water line from Hyperchiller OUTLET → Vessel IN.
- (C) Connect second water line from the pre-filter → Vessel OUT.
- (D) Confirm the drain and fill shutoff valves are on the tub and twisted to the OFF position.



3. Fill with Water:

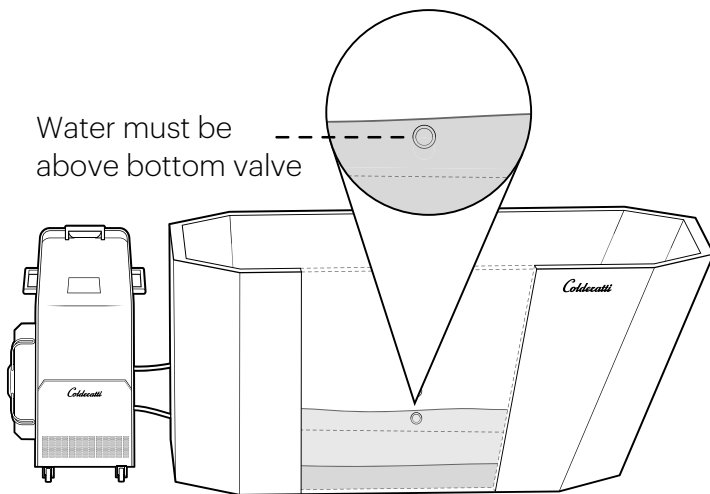
Fill the Vessel with a hose to the level of the water inlet valves, about 5 inches below the top.

* How to drain/fill your Vessel and how to plumb drain/fill valves on page 11&12

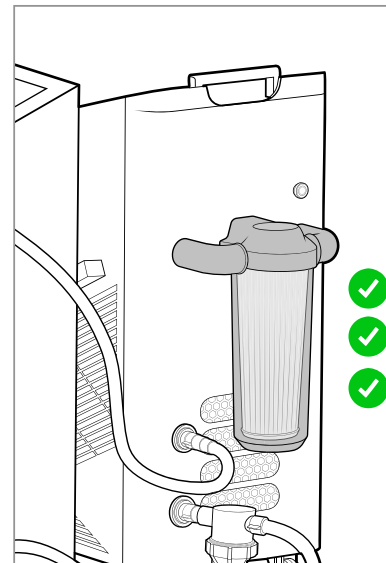


4. Before turning on your cold plunge:

- (A) The water level must be at least above the bottom water valve.
- (B) Verify the clear filter canister is securely hand-tightened to the chiller, and the filter is inside, straight and securely seated.
- (C) Verify the shut-off water valves are straight, in the ON position (page 5).
- (D) Ensure the sediment pre-filter is securely connected (page 5).
- (E) Ensure the rubber seals are in place in the 2 water cables and the pre-filter (page 5).
- (F) Ensure the two water cables are properly connected to the tub and chiller, and in the correct orientation (page 2).

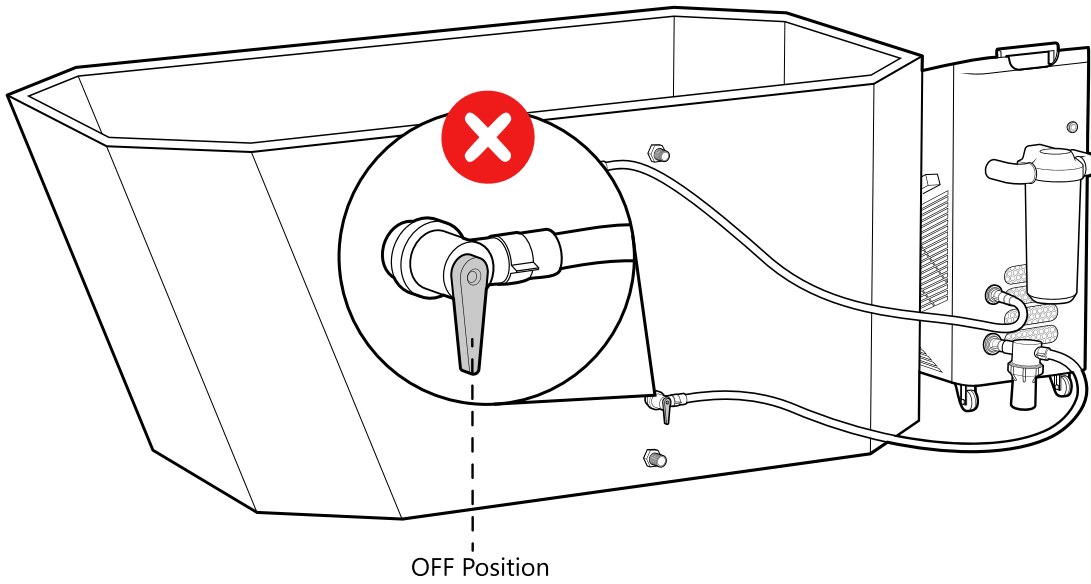
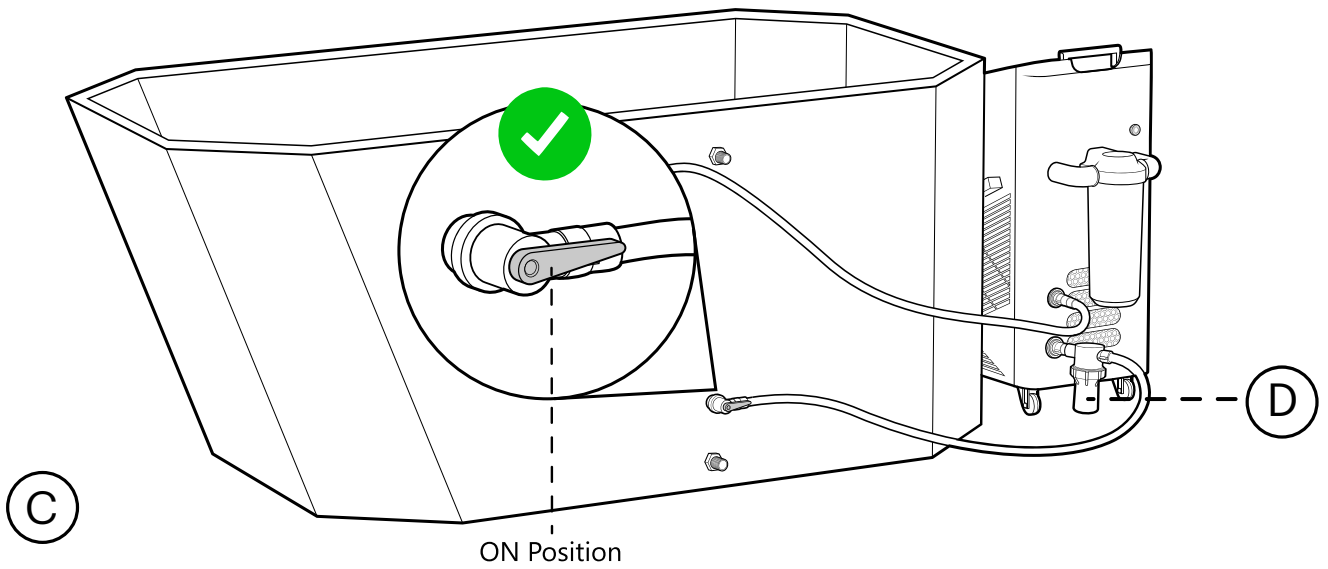
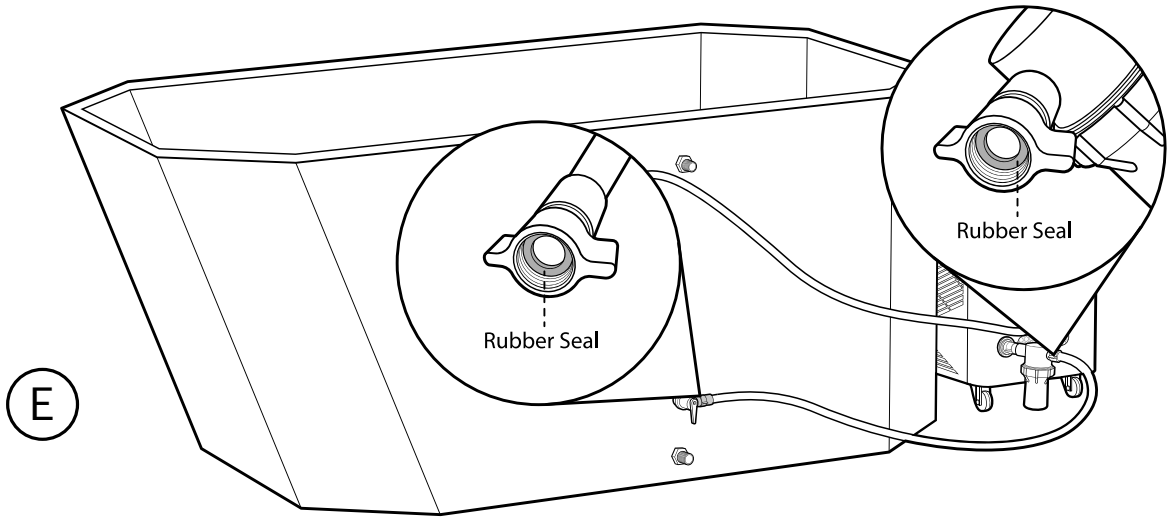


(A)



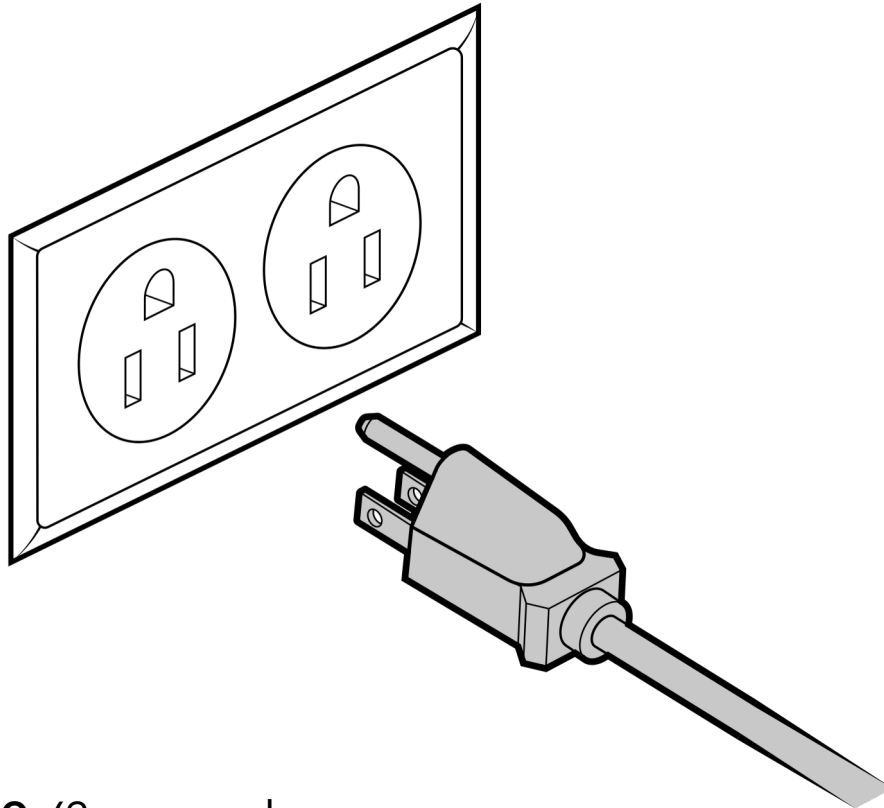
(B)

*Failure to follow these precautions may damage the machine and void warranty.



5. Plug In:

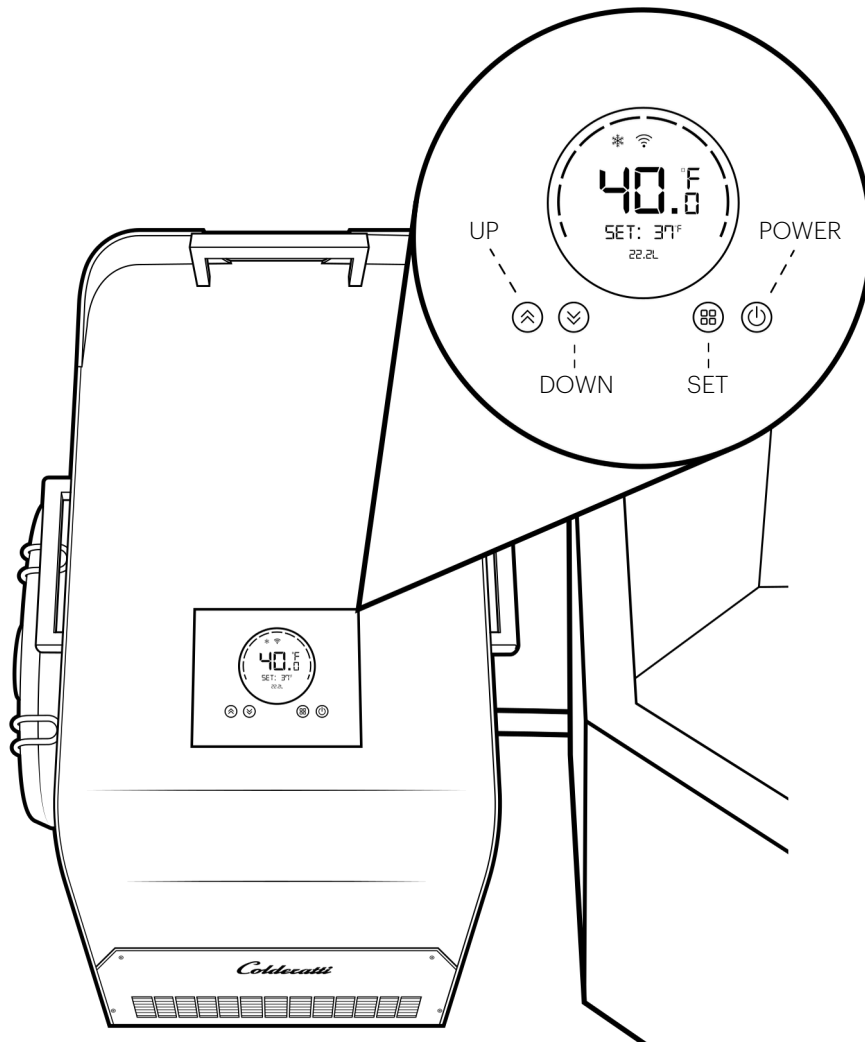
- Before plugging in your Hyperchiller, make sure all items in **Step 4: Before turning on your cold plunge** are fully completed and verified.
- Plug your Hyperchiller into a standard 120V outlet. The outlet must be on a dedicated 20A (minimum) circuit.
- The machine includes built-in GFCI protection, so an additional external GFCI is not necessary and may cause nuisance tripping.
- Use only a 12-gauge extension cord if needed.



**NEMA 5-20, (3-pronged
standard outlet)
120V, 20A**

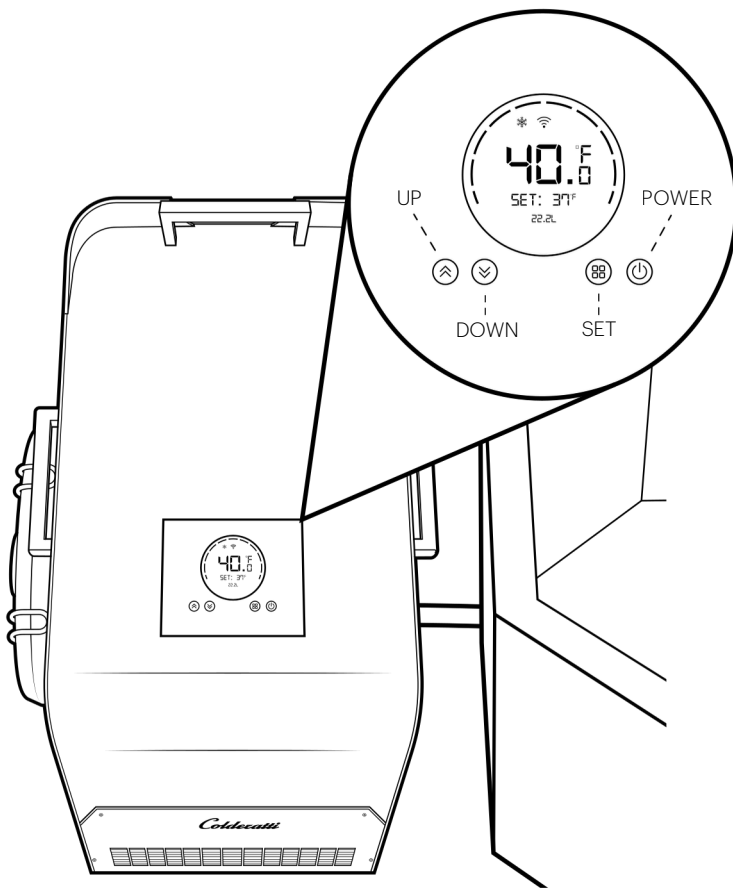
6. Set Temperature:

- Power on the Hyperchiller by pressing the **POWER** button.
- Press and hold the **UP & DOWN** buttons at the same time to toggle lock/unlock (a lock icon will show the lock status).
- Press the **SET** button (the temperature will start flashing on the control panel) and use the **UP/DOWN** buttons to set temperature.
- Allow system 1 hour to reach the temperature target.



7. Pair your Vessel with the app:

- Download the Smart Life app.
[App Store](#)
[Google Play](#)
- Press and hold the **UP & DOWN** buttons at the same time to toggle lock/unlock (a lock icon will show the lock status).
- Hold the **SET** button for 7 seconds. Let go. You will hear a beep and see the WiFi icon flash.
- Press “Add Device” on the app, and the chiller will auto-connect.



- Press “Timing Control” on the app to begin setting a schedule.

Recommended schedule:

Residential

7 days per week – 9hrs runtime

5AM–8AM (3hrs)

11AM–2PM (3hrs)

5PM–8PM (3hrs)

Commercial

7 days per week – 12hrs runtime

6AM–11AM (5hrs)

1PM–6PM (5hrs)

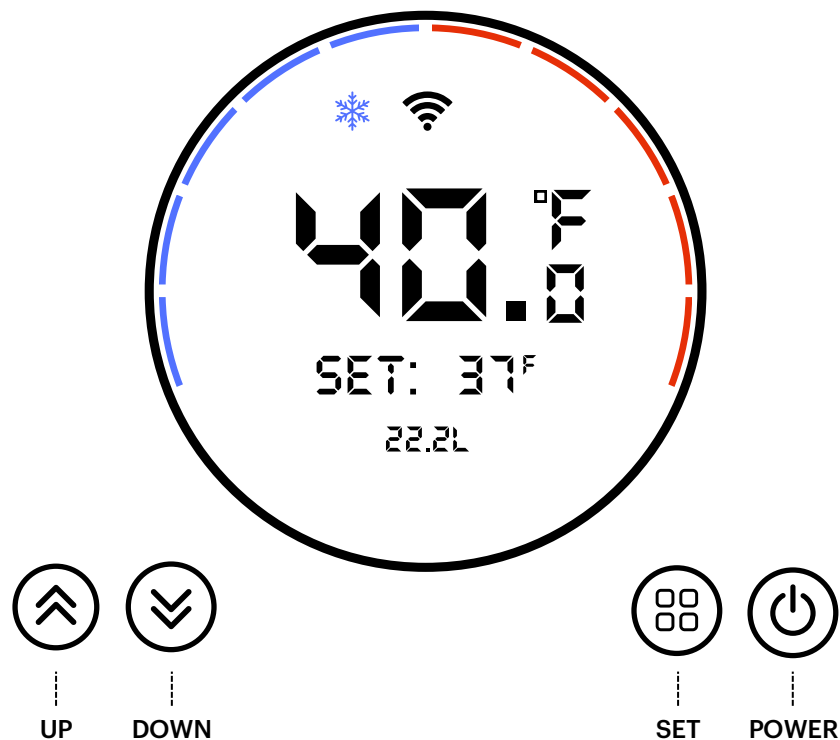
12AM–2AM (2hrs)

Setup is complete!

Instructions for use:

• Control Panel	-	Page 11
• How To drain and Fill your Hyperpod	-	Page 12
• How To Plumb Drain/Fill Valves	-	Page 13
• Drain/fill Valve Locations and Specs	-	Page 14
• Water Care & Maintenance	-	Page 15
• Deep Clean Your Plunge	-	Page 16
• Cleaning Requirements	-	Page 16
• Replacing the Filter	-	Page 17
• Water Testing	-	Page 18
• Remote Chiller Setup	-	Page 19
• Remote Chiller Setup Drawings	-	Page 20
• Safety Precautions	-	Page 21
• Service & Troubleshooting	-	Page 21

Control panel



- Press **POWER** button once to turn on. Press once to turn off.
- Press and hold **SET** button for 7 seconds then release to enter pairing for app connection.
- Press and hold **UP** and **DOWN** buttons to toggle lock/unlock. A lock icon will appear to show lock status. When locked, you cannot change the temperature or power off.
- Press the **UP** and **DOWN** buttons to change temperature.

How to drain and fill your Vessel:

Without Plumbing:

*Plumbing is optional. For drain and fill plumbing instructions, see the next page.

To Fill:

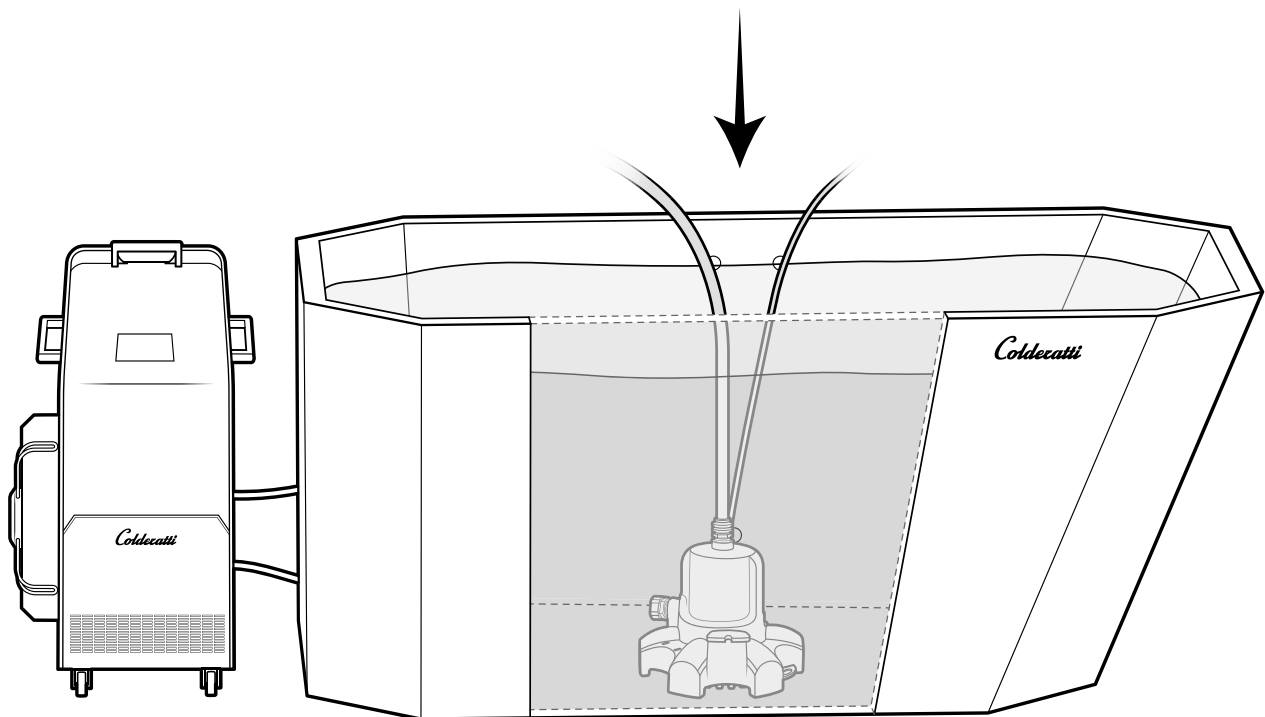
Using a garden hose, fill the tub with water until the water level reaches the top valve (the water jet).

To Drain:

Attach a garden hose to the drain valve (bottom valve on the back of the Vessel), then open the valve to drain.

If you have an automatic water pump:

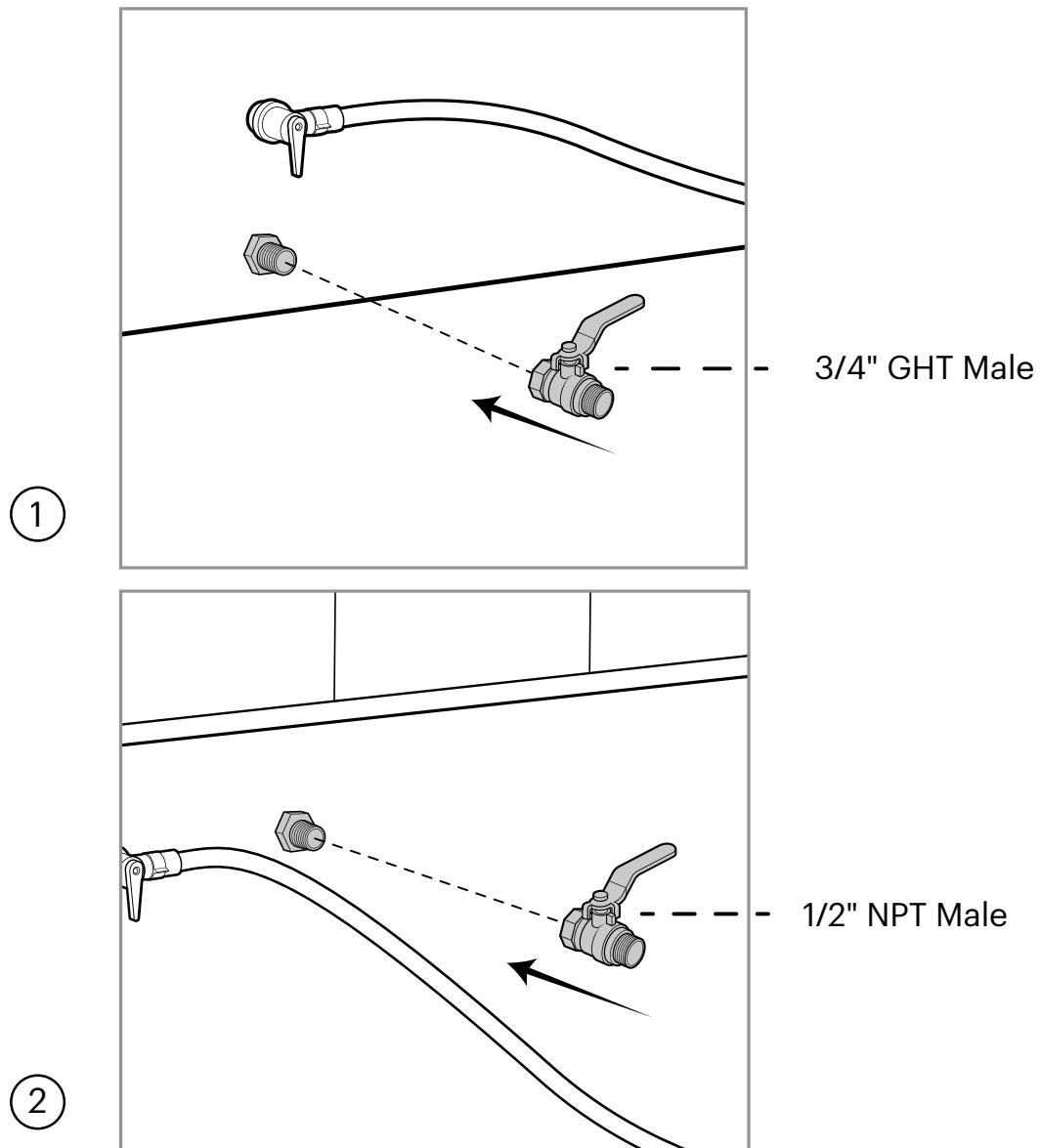
- Connect a garden hose to the top port of the automatic water pump.
- Submerge the pump fully in plunge basin until it rests on the bottom.
- Route hose to drain location, plug in pump. Monitor water level.



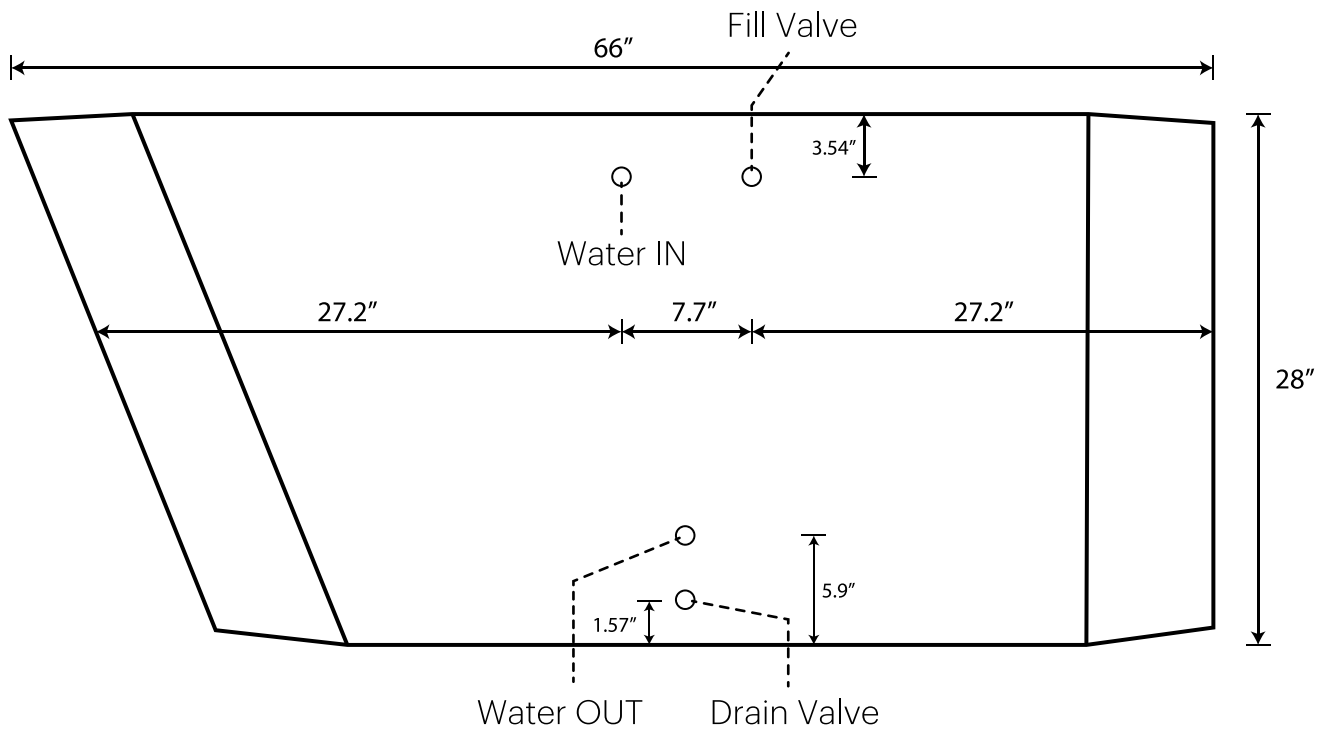
Drain/fill with plumbing:

1. Drain valve (bottom): 3/4" GHT stainless steel thread. Connect to gravity water drain. If needed, an inline booster pump can be installed.
2. Fill valve (top): 1/2" NPT stainless steel thread. Connect to water fill.

*refer to page 12 for precise drain/fill valve locations



Vessel valve specifications:



Water Care & Maintenance:

Everything you need for water care in one package:

[6-month maintenance kit \(Residential\)](#)

[6-month maintenance kit \(Commercial\)](#)

Residential Water Care

If your Vessel lives at home, follow these care instructions to keep it clean, clear, and performing like new.

Initial Fill-Up	4oz Colderatti water clarifier
Daily Maintenance	1/2oz Colderatti water clarifier
Monthly Maintenance	<ul style="list-style-type: none">• Replace water with fresh water• Replace the filter• Rinse the pre-filter
Quarterly Deep Clean¹	Every 3 Months, deep clean

Commercial Water Care

If your Hyperpod is used in a commercial setting (gym, spa, or shared space), more frequent care is required.

Initial Fill-Up	4oz Colderatti water clarifier
Daily Maintenance	1oz Colderatti water clarifier
Bi-Monthly Maintenance	<ul style="list-style-type: none">• Replace water with fresh water• Replace the filter• Rinse the pre-filter
Quarterly Deep Clean¹	Every 3 Months, deep clean

¹ Deep cleaning is recommended for optimal performance and longevity of the machine. **Instructions on next page.**

**Maintain clean & clear water at all times. If at any moment the water is not crystal clear, replace the water with fresh water and replace the filter.*

Deep clean your plunge

We recommend deep cleaning your plunge every 3 months, for optimal performance and longevity of the machine.

1. Drain all water and refill with clean water to 1/3 capacity.
2. Add 8oz (1 cup) food-grade citric acid*
3. Turn the Hyperchiller on and set the temp to max hot.
4. Let the water cycle for 30 minutes with the citric acid solution.
5. Turn the Hyperchiller off and drain the tub fully.
6. Rinse the inside basin with warm water and a clean washcloth.
7. Run a final flush: fill with clean water to 1/3 capacity and turn the Hyperchiller on for 5 minutes. Then turn off and drain water fully.
8. Replace the filter with a new filter. Deep clean is finished.

**Citric acid is a natural descaler that breaks down mineral deposits, biofilm, and tarnish from the inside surface of the system—ideal for naturally flushing your system and restoring it to a like-new condition, while leaving the stainless steel more rust-resistant and with a visibly cleaner and brighter finish.*

Cleaning requirements

Follow these best practices for regular cleaning and care to keep your Colderatti system in peak condition.

Water care: use Colderatti water clarifier regularly to keep water clean, clear, and free of oils and debris.

Stainless steel:

- Wipe stainless steel with warm water + food-grade citric acid using a soft cloth to remove biofilm, mineral buildup and residue.
- Always rinse and dry surfaces after cleaning to prevent water spots and corrosion.
- Use only soft microfiber cloths—never abrasive scrubbers.

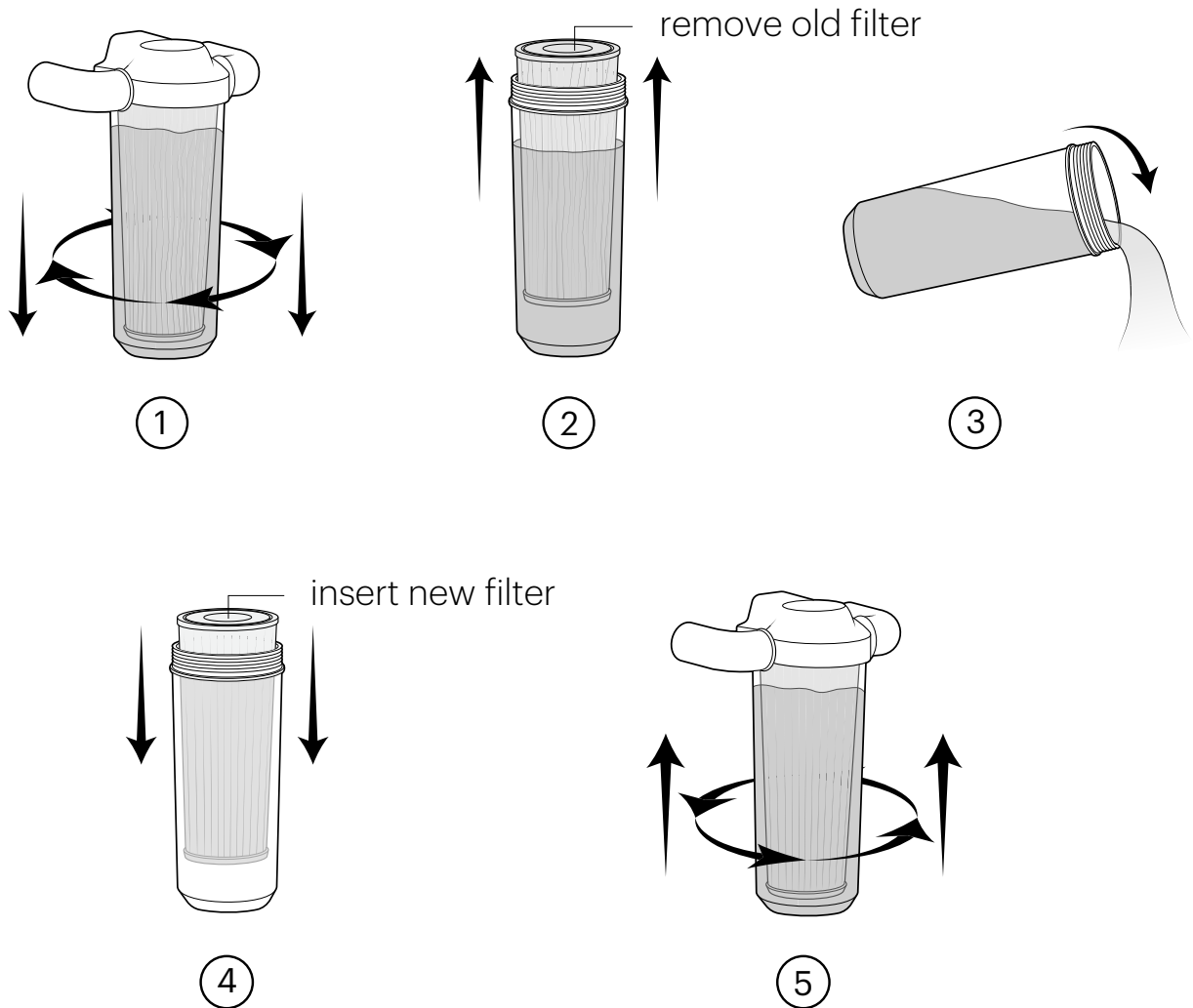
DO NOT mix citric acid or hydrogen peroxide with other cleaning chemicals.

Avoid using bleach, chlorine, or other harsh chemical cleaners — they can degrade & discolor stainless steel over time.

Replacing the filter

Replace the filter once per month for optimal performance and longevity of the machine.

- Unscrew the clear filter canister.
- Remove the old filter, dump the dirty water from the canister, replace with new filter. Screw in.



Water Testing

If you choose to test your water using water test strips, expect each parameter to fall within the ideal ranges below:

1. Free Chlorine or Bromine: 0ppm
2. pH: 7.2–7.8
3. Total Alkalinity: 80–120 ppm
4. Calcium Hardness: 150–250 ppm
5. Total Dissolved Solids (TDS): under 1,500 ppm
6. Cyanuric Acid: 0 ppm
7. Oxidation-Reduction Potential (ORP): 650–750 mV

- *If pH is low: turn on the machine with ozone enabled and add 1/2 oz Colderatti Water Clarifier.*
- *If hardness is low: add Colderatti Magnesium Sea Salt Blend.*

Expected Results After 2 Weeks of Daily Use:

With proper daily water care, pH, Alkalinity, Hardness, TDS, and ORP levels typically fall within 90–95% of ideal ranges. Results may vary based on user hygiene, adherence to water care routines, and the quality of your initial water source.

Remote-Chiller Setup:

**See next page for drawings*

1. Distance Requirements:

Max vertical lift: 15 ft

Max total head (vertical + horizontal): 40 ft

Make sure the chiller is placed within these limits.

2. Connect Water Cables (IN/OUT):

If connecting through wall ports:

Label wall lines as IN/OUT clearly to avoid confusion.

Hyperchiller INLET → connects to tub OUT (bottom) valve

Hyperchiller OUTLET → connects to tub IN (top) valve

3. Ensure Proper Ventilation:

Chiller must have 36" clearance on fan end.

If chiller is placed in enclosed area, it must have (either):

- At least 2 passive vents (one vent next to Hyperchiller fan out, one vent opposite, allowing adequate passive airflow) OR
- Inline duct fan (400 CFM+) high, and passive vent low, near chiller.

An open area or well-ventilated room with natural airflow is ideal for the chiller and requires no additional venting or fan system.

4. Prime the INLET Line:

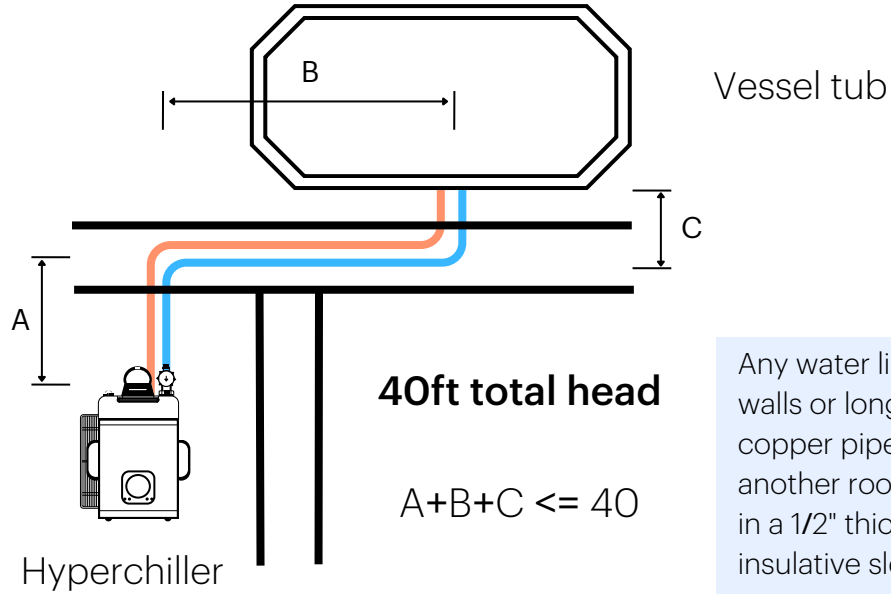
- Use a hose to push water into the INLET cable and remove air.
- Fill the filter chamber with water before powering on.

5. Final Checks Before Powering On:

- Review Step 4 (Page 4) for full checklist.

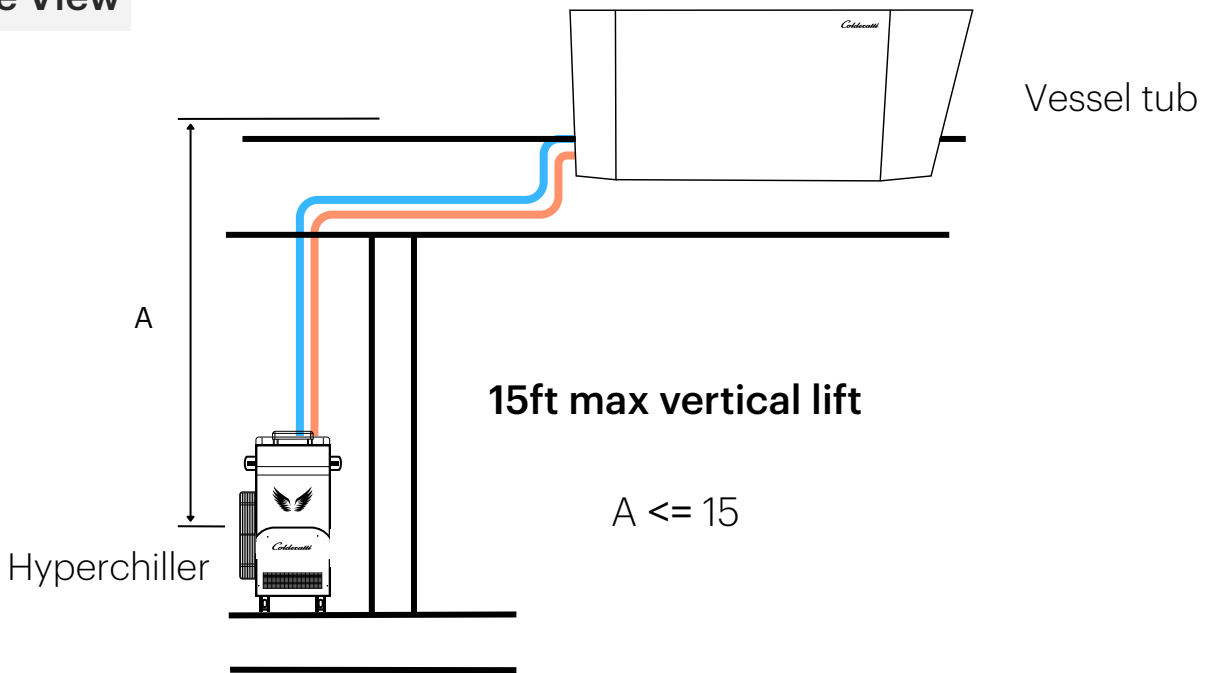
Remote-Chiller Setup Drawings

Top View



Any water lines running through walls or long distances (e.g. a 1/2" copper pipe running 20 feet to another room) must be wrapped in a 1/2" thick (minimum) insulative sleeve. This prevents temperature loss and ensures proper system performance.

Side View



Safety Precautions:

- ⚠️ **No children or pets** – never allow unsupervised access. Secure the cover when not in use.
- ⚠️ **No alcohol or drugs** – these can drastically increase the risk of unconsciousness, drowning, or hypothermia.
- ⚠️ **Know your limits** – sudden cold immersion can trigger cold shock or hypothermia. Always use under supervision until you know your body’s response.
- ⚠️ **Electrical safety** – only use a dedicated 20A, 120V circuit with GFCI protection; keep all outlets and devices 5 feet away.
- ⚠️ **Consult Your Doctor** – especially if pregnant, have heart conditions, blood pressure issues, diabetes, or are taking medication that may cause drowsiness.
- ⚠️ **Do not modify electrical components** – only qualified technicians should access internal electronics. Tampering can lead to electric shock, fire, or system failure.
- ⚠️ **Use with supervision if needed** – those with reduced physical, sensory, or mental ability should only use the plunge under supervision.
- ⚠️ **Freezing Conditions** – Do not store or place equipment outdoors in freezing temperatures while powered off. The system must remain on to utilize its internal freeze protection and prevent internal freeze damage. Any damage caused by freezing temperatures – including damage resulting from the unit being powered off, power failure, or outdoor placement – is strictly excluded from warranty coverage and is at the user’s own risk.

Service & Troubleshooting:

Error Code	Reason	Solution
CLN	Low Flow Rate	Clean the filter
FL	Flow Issue	Possible solutions: <ul style="list-style-type: none"> • Confirm both water valves are in the ON position (straight). • Confirm seal rings are on the inside of the water hoses. • Reset the Hyperchiller. Power it off and on.
CH1/2/3	Sensor Issue	Contact Colderatti Support

Coldeatti