



Cold & Hot
32°F – 107°F

Hyperchiller™
superfast cooling

Automatic water
purification

Smartphone
controlled



Full body
submersion

2 adults, 7 ft 0 in

Comfortable
reclined backrest

Aerospace grade
stainless steel

A masterpiece of recovery technology.

Discover the Colderatti Vessel.

Temperature Range: 32°F – 107°F

- Set the plunge to your ideal temp.
- Experience cold or heat therapy.
- Generates ice glaciers at 32°F.

Hyperchiller Superfast Cooling

- Cools at -17°F per hour, or 70°F to 50°F in 70 minutes.
- 4-8X faster than the latest commercial-grade systems.
- Smooth, silent, and energy-efficient.
- Use the app to adjust temperature and automate your plunge schedule.

Automatic Water Purification

- 4-stage commercial-grade system keeps your water clean & crystal clear using two particle filters, an aerator, and an ozonator.
- Creates an oxygen-rich, bacteria resistant environment for hands-free pure water with minimal maintenance and zero chemicals.
- 24/7 continuous circulation.

Reclined Full Water Immersion

- Fully submerge your body with ease in the spacious Vessel tub.
- The 110° incline supports your body in an ergonomic, restful posture for maximum comfort.

Remote Located Chiller

- Place the chiller in a separate location from the tub and control wirelessly via smartphone.
- Remote locate up to 40 feet away, with 15 feet of vertical lift.

Support, Service, and Financing

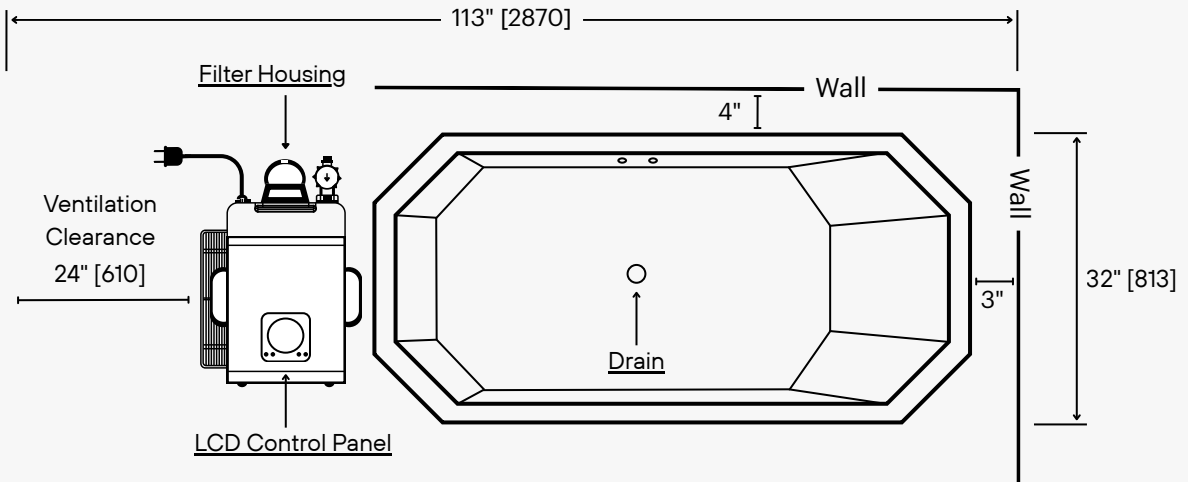
- 1-year warranty on frame, tub, chiller, electrical, and plumbing. 4-year extended warranty available.
- Free curbside delivery in continental U.S. White glove delivery & setup available.
- Live U.S. based technical support, 7 days a week.
- Home financing and commercial equipment lending with lowest rates available.

Specifications

Total Footprint with Chiller & Clearance	113" x 36" x 28" (LWH)
Tub Dimensions:	66" x 32" x 28" (LWH)
Capacity: Water Capacity: Daily Bather Load:	1 adult or up to 7 ft 0 in 140 gallons 70 bathers/day
Filtration	2.5x10", 20 Micron, NSF50
Water Turnover Rate	17.7 minutes
Electrical Requirements	120V 20-amp dedicated circuit
Weight Dry/Full	229lbs/1429lbs (tub) 120lbs (Hyperchiller)
Materials	Aerospace grade 304 stainless steel.

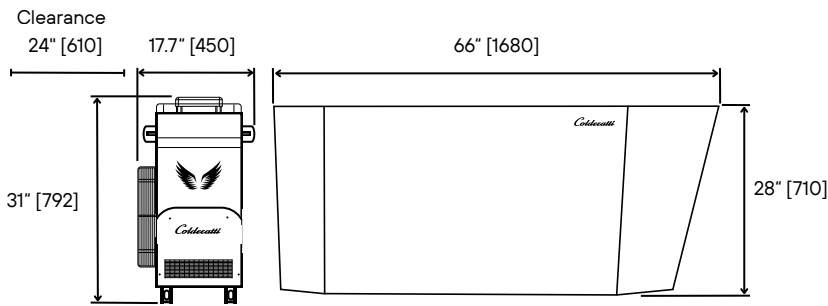
Fast and Simple Maintenance:

- Quickly change filters, drain, and refill the tub.
- No assembly required, just connect water lines and get started.



Vessel

Dimensions & Location Requirements

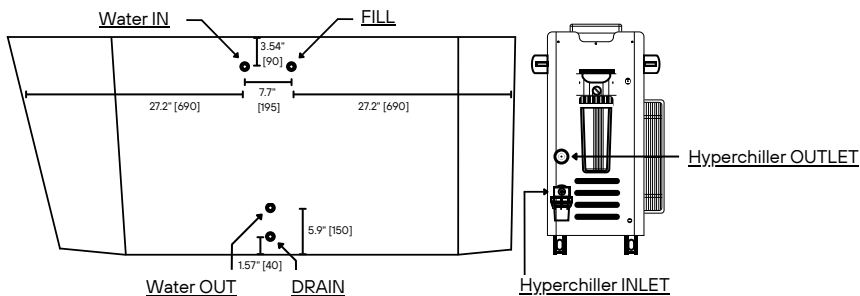


Details:

- Designed and Engineered by Colderatti in the USA.
- 100% aerospace grade 304 stainless steel.
- Commercial grade 1.5HP Hyperchiller.
- High output ozone generator.
- 120V, 20A dedicated circuit.

Hydraulic Connections:

Water OUT	→	To Hyperchiller INLET
Water IN	→	To Hyperchiller OUTLET
DRAIN	→	Optional DRAIN outlet. Allows routing to nearby floor drain or plumbing connection to sanitary septic line.
FILL	→	Optional FILL valve. Allows connection to water source.



What's included

Stainless Steel Vessel & Hyperchiller	Order Vessel
Insulated Press-Fit Cover	Included
Water Care Kit (3 months) - 3 filters, water clarifier, net.	Included
Colderatti Care+ 1-Year Warranty	Included
Stainless Steel Care Kit - Clean, Polish, Protect	Add-On
Submersible Water Pump (for easy draining)	Add-On
Colderatti Care+ 4-Year Extended Warranty	Add-On

