

Cold & Hot  
32°F – 104°F

Hyperchiller™  
superfast cooling

Automatic water  
purification

Smartphone  
controlled



Full body  
submersion

1 adult, 6 foot 7in

Small footprint

Aerospace grade  
stainless steel

# A masterpiece of recovery technology.

Discover the Colderatti Hyperpod Pro

## Commercial Ready

- Commercial-grade cooling, filtration, and UL-listed components for continuous, high-demand use.
- VGB/ANSI 2017 main suction drain.
- Surface skimmer.
- 316L stainless steel construction.
- Optional: Automatic sanitizer dosing/monitoring system.

## Temperature Range: 32°F – 104°F

- Set the plunge to your ideal temp.
- Experience cold or heat therapy.
- Generates ice glaciers at 32°F.

## Hyperchiller Superfast Cooling

- Cools at -17°F per hour, or 70°F to 50°F in 70 minutes.
- 4-8X faster than the latest commercial-grade systems.
- Smooth, silent, and energy-efficient.
- Use the app to adjust temperature and automate your plunge schedule.

## Remote Located Chiller

- Place the chiller in a separate location from the tub and control wirelessly via smartphone.
- Remote locate up to 40 feet away, with 15 feet of vertical lift.

## Upright Full Water Immersion

- Fully submerge your body with ease in the spacious vertical tub.
- The upright design engages your body's natural buoyancy to create a weightless zero-gravity experience.

## Automatic Water Purification

- 4-stage commercial-grade system keeps your water clean & crystal clear using two particle filters, aeration, and a high-output ozone generator.
- Creates an oxygen-rich, bacteria resistant environment for hands-free pure water with minimal maintenance and zero chemicals.
- 24/7 continuous circulation.

## Support, Service, and Financing

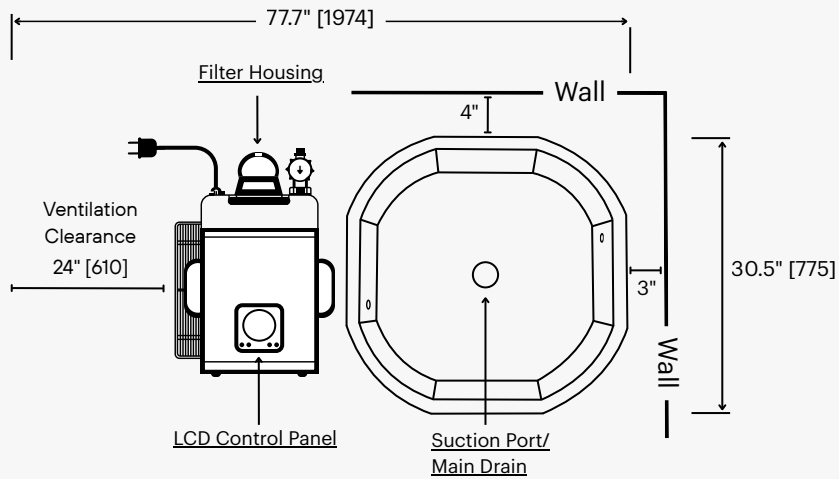
- 1-year warranty on frame, tub, chiller, electrical, and plumbing. 4-year extended warranty available.
- Free curbside delivery in continental U.S. White glove delivery & setup available.
- Live U.S. based technical support, 7 days a week.
- Home financing and commercial equipment lending with lowest rates available.

## Specifications

|  |   |
|--|---|
| Total Footprint with Chiller & Clearance           | 78" x 35" x 39" (LWH)                                       |
| Tub Dimensions:                                    | 31" x 31" x 39" (LWH)                                       |
| Capacity:<br>Water Capacity:<br>Daily Bather Load: | 1 adult, up to 6 foot 7 in<br>93 gallons<br>100 bathers/day |
| Filtration   | 2.5x10", 20 Micron, NSF/ANSI 50                             |
| Water Turnover Rate                                | 12 minutes  |
| Electrical Requirements                            | 120V 20-amp dedicated circuit                               |
| Weight Dry/Full                                    | 150lbs/920lbs (tub)<br>120lbs (Hyperchiller)                |
| Materials  | Aerospace grade 316L stainless steel.                       |
| Stainless steel finish                             | Exterior brushed, interior electropolished.                 |

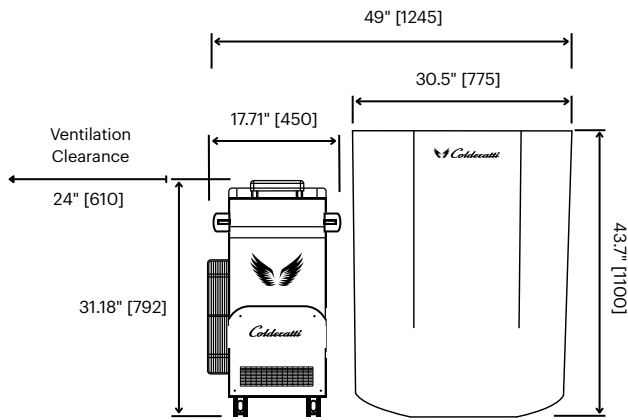
## Fast and Simple Maintenance:

- Quickly change filters, drain, and refill the tub.
- No assembly required, just connect water lines and get started.



## Hyperpod

## Dimensions & Location Requirements

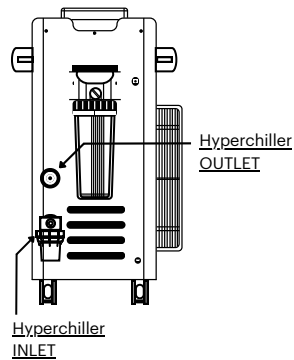
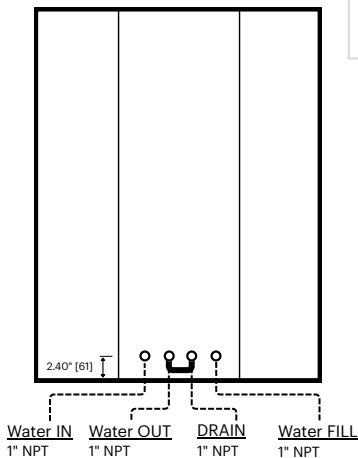


### Details:

- Designed and Engineered by Colderatti in the USA.
- 100% aerospace grade 316L stainless steel.
- Commercial grade 1.5HP Hyperchiller.
- High output ozone generator.
- 120V, 20A dedicated circuit.

### Hydraulic Connections:

|           |   |   |
|-----------|---|---|
| Water OUT | → | To Hyperchiller INLET   |
| Water IN  | → | To Hyperchiller OUTLET  |
| DRAIN     | → | Optional DRAIN outlet. Allows routing to nearby floor drain or plumbing connection to sanitary septic line. |
| FILL      | → | Optional FILL valve. Allows connection to water source.   |



## What's included

|   |                 |
|---|-----------------|
| Hyperpod Stainless Steel Plunge & Hyperchiller          | <b>Included</b> |
| Insulated Press-Fit Cover                               | <b>Included</b> |
| Stainless Steel Step Stool                              | <b>Included</b> |
| Colderatti Care+ 1-Year Warranty                        | <b>Included</b> |
| Commercial Water Care Kit - 7X filters, water clarifier | <b>Add-On</b>   |
| Stainless Steel Care Kit - Clean, Polish, Protect       | <b>Add-On</b>   |
| Submersible Water Pump (for easy draining)              | <b>Add-On</b>   |
| Colderatti Care+ 4-Year Extended Warranty               | <b>Add-On</b>   |

