



Precision cooling
70°F – 30°F

Hyperchiller™
superfast cooling

Automatic water
purification

Underwater
ambient spa light



Chieftain Pro ICE

Full body
submersion

1 adult, 6 foot 10in

Premium wood
deck finishes

Aerospace grade
stainless steel

A masterpiece of recovery technology.

Discover the Coldecatti Chieftain Pro ICE.

Temperature Range: 70°F – 30°F

- Set the plunge to your ideal temp.
- Generates ice glaciers at 32°F.

Hyperchiller Superfast Cooling

- Cools at -15°F per hour, or 70°F to 50°F in 80 minutes.
- 4-7X faster than the latest commercial-grade systems.
- Smooth, quiet, and energy-efficient.
- Built-in software regulates temperature.

Automatic Water Purification

- 4-stage commercial-grade system keeps your water clean & crystal clear using two particle filters, an aerator, and an ozonator.
- Creates an oxygen-rich, bacteria resistant environment for hands-free pure water with minimal maintenance and zero chemicals.
- 24/7 continuous circulation.

Fast and Simple Maintenance

- Quickly change filters, drain, and refill the tub.
- No assembly required, just fill with water, plug in, and get started.

Reclined Full Water Immersion

- Fully submerge your body with ease in the spacious reclined tub.
- An ergonomic, contoured basin design for max comfort.

Fully Enclosed Chiller

- Chiller, filtration, water purification, and all mechanical elements are housed discreetly within the unit.

Support, Service, and Financing

- 1-year warranty on frame, tub, chiller, electrical, and plumbing. 4-year extended warranty available.
- Free curbside delivery in continental U.S. White glove delivery & setup available.
- Live U.S. based technical support, 7 days a week.
- Home financing and commercial equipment lending with lowest rates available.

Choose from premium wood and steel finishes

- Red & clear cedar wooden deck.
- Coated carbon steel exterior.

Specifications

Total Footprint with Clearance	102" x 37" x 35" (LWH)
Inside Basin Dimensions	47" x 29" x 28" (LWH)
Capacity	1 adult, up to 6 foot 10 in Water Capacity: 125 gal
Electrical Requirement	120V 20-amp dedicated circuit
Materials	<ul style="list-style-type: none"> • 316 stainless steel (basin) • 304 stainless steel (structure) • Canadian Cedar Wood (deck)
Chiller Power	1.5 HP Hyperchiller, 70-30°F
Weight Dry/Full	635 lb / 1,670 lb

Wood deck options



Redwood Cedar

Spa light: any color



Exterior coating options



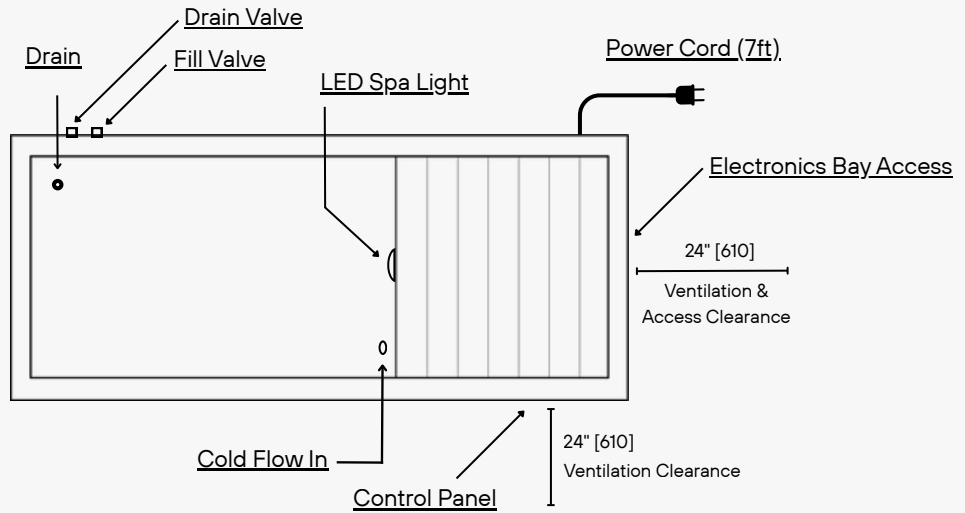
Obsidian Slate Pearl

Sales: (972) 213-1210

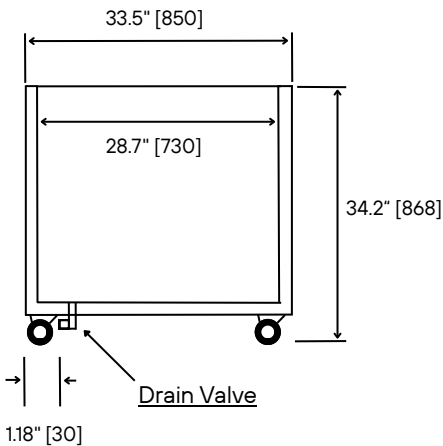
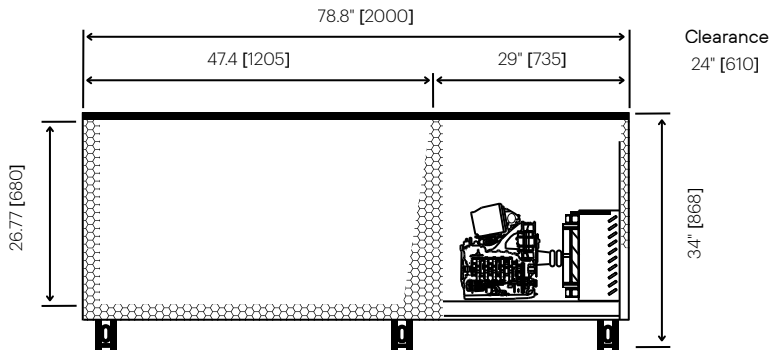
Email: welcome@coldecatti.com

coldecatti.com

Chieftain Pro ICE



Dimensions & Location Requirements



Details:

- Designed and Engineered by Colderatti in the USA.
- Aerospace grade 316 stainless steel.
- Commercial grade 1.5HP Hyperchiller
- High output ozone generator.
- 120V, 20A dedicated circuit.
- Included: Insulated leather cover & matching wood and steel step stool.

What's included

Chieftain Pro ICE - Stainless Steel, Carbon Steel, Natural Cedar	Order Chieftain
Wood: Redwood Wood: Cedar Steel: Obsidian Steel: Slate Steel: White	(Included) (+ \$300) (Included) (+ \$200) (+ \$200)
Colderatti Care+ 1-Year Warranty	Included
Insulated Press-Fit Cover	Included
Plunge Step (Matching Wood & Steel)	Included
Water Care Kit (3 months) - 3 filters, water clarifier, net.	Add-On
Stainless Steel Care Kit - Clean, Polish, Protect	Add-On
Submersible Water Pump (for easy draining)	Add-On
Colderatti Care+ 4-Year Extended Warranty	Add-On

